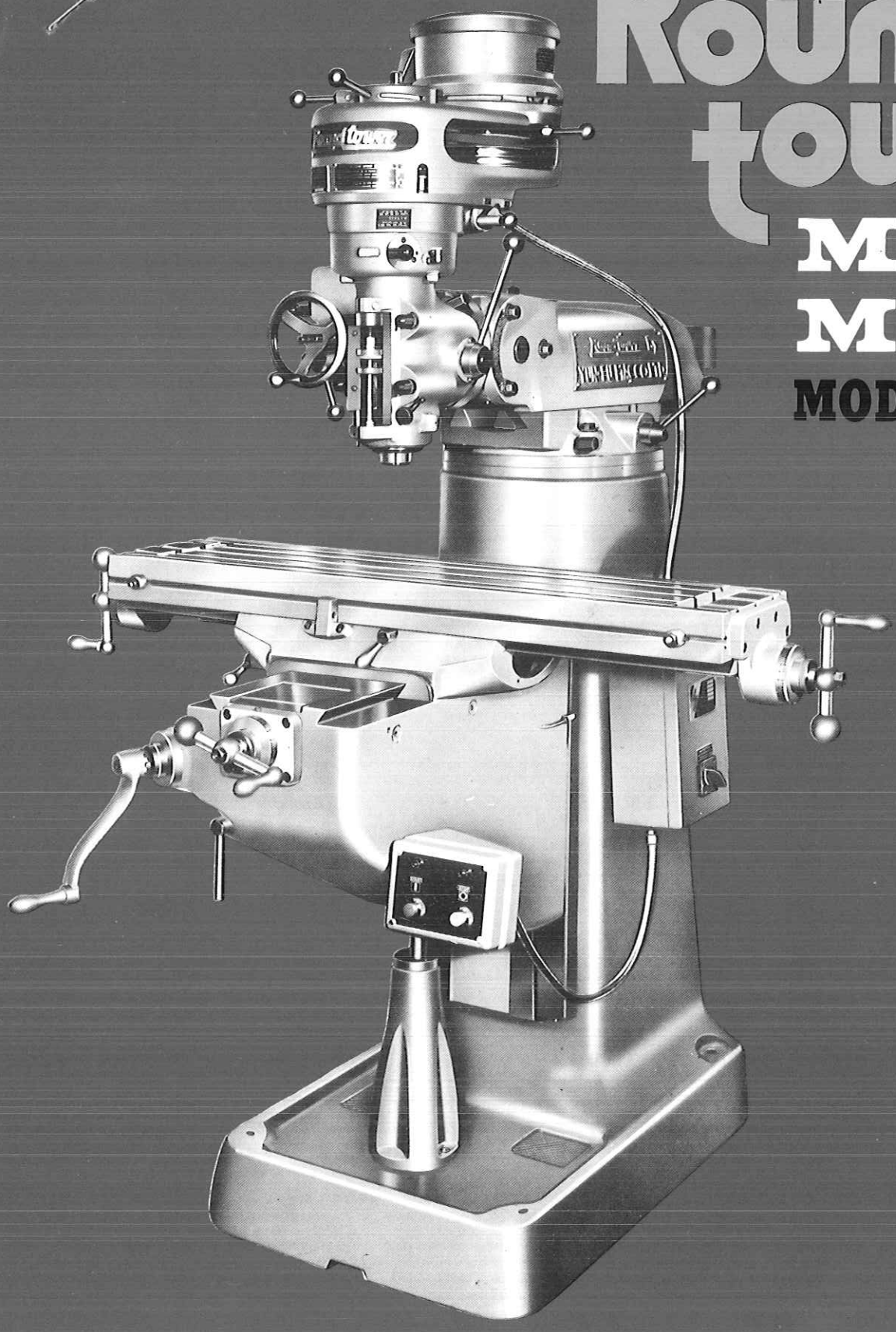


SEP 5 1980

# Round tower

## Milling Machine MODEL YF-TM2

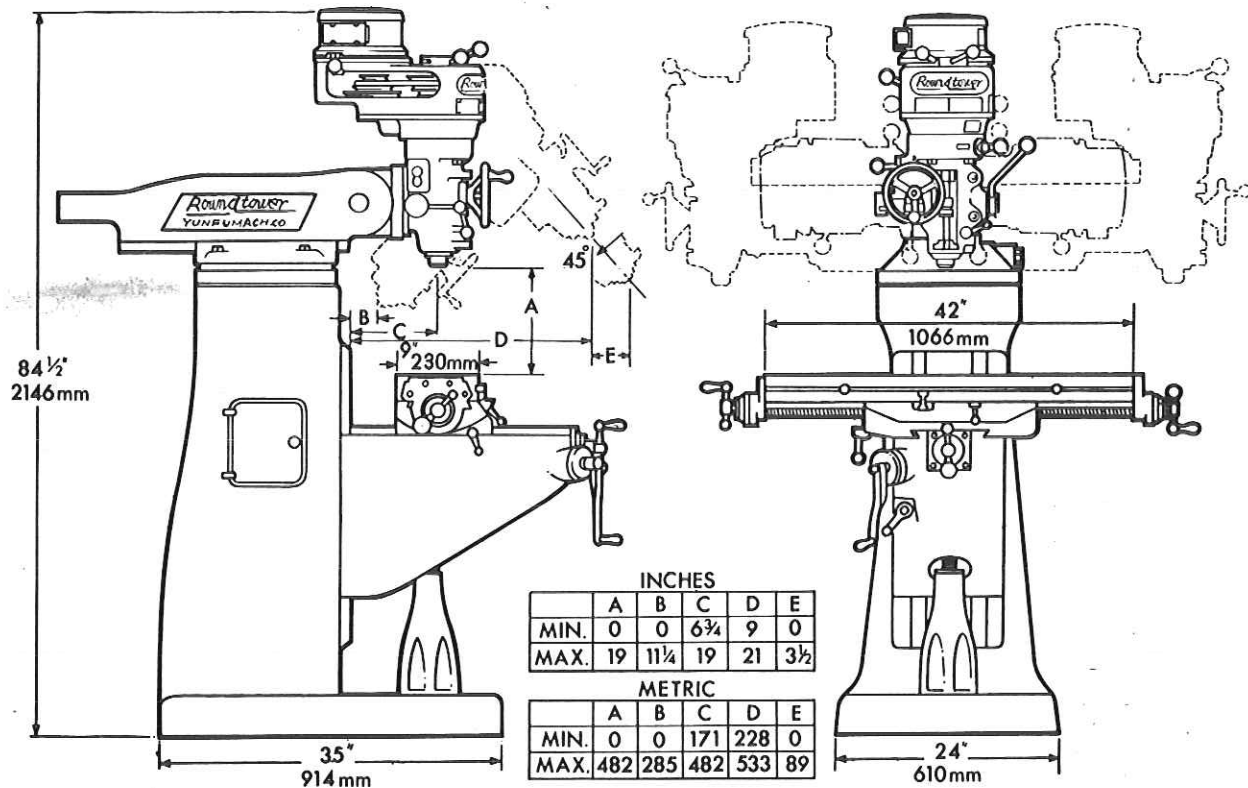


*Sterling*  
MACHINERY EXCHANGE

[www.SterlingMachinery.com](http://www.SterlingMachinery.com)

# Y.F.M. INC.

# SPECIFICATION



|  | inch                      | m-m  |
|--|---------------------------|--|
| Table Size.....                          | 42" x 9"                  | 1066 x 230mm   |
| Longitudinal Traverse Hand only.....     | 30"                       | 762mm  |
| Power Feed Fitted                        | 26 1/2"                   | 675mm  |
| Cross Traverse.....                      | 12"                       | 305mm  |
| Vertical Traverse.....                   | 16"                       | 406mm  |
| Ram Movement.....                        | 12"                       | 305mm  |
| Spindle Speeds Number.....               | 8                         | 50Hz   75 125 200 300 595 975 1555 2315<br>60Hz   90 150 240 360 715 1170 1870 2780 R.P.M. |
| Spindle.....                             | R8 or NST #30 taper       |  |
| Quill Travel.....                        | 5"                        | 125mm  |
| Collet Capacity.....                     | 3/4"                      | 19.05mm  |
| Spindle Centre to Column Face.....       | 6 3/4" - 19"              | 171 - 482mm  |
| Spindle to Table.....                    | 0 - 19"                   | 0 - 480mm  |
| Quill Feeds per rev of Spindle.....      | 0.0015" - 0.003" - 0.006" | 0.04mm - 0.08mm - 0.15mm   |
| Motor HP.....                            | 2                         | 2  |
| Floor Area Occupied.....                 | 64" x 82"                 | 1626 x 2085  |
| Shipping Particulars Space Occupied..... | 55" x 55" x 76"           | 1397 x 1397 x 1931mm   |
| Net Weight (Basic Machine)....           | 2057 lb                   | 935 kg   |
| Gross Weight (Basic Machine)..           | 2380 lb                   | 1080 kg  |

## Y. F. M. INC.



13810 BENTLEY PLACE CERRITOS

CA. 90701 U.S.A

TEL: (213) 9267732-33

(714) 7390539-40

MACHINERY EXCHANGE

www.SterlingMachinery.com

*Sterling*